

## Ku Band 4 Port Linear Polarization Duplexer

### 【Product introduction】 :

Contains OMT and 2 duplexers. Features: High power capacity, great rejection.

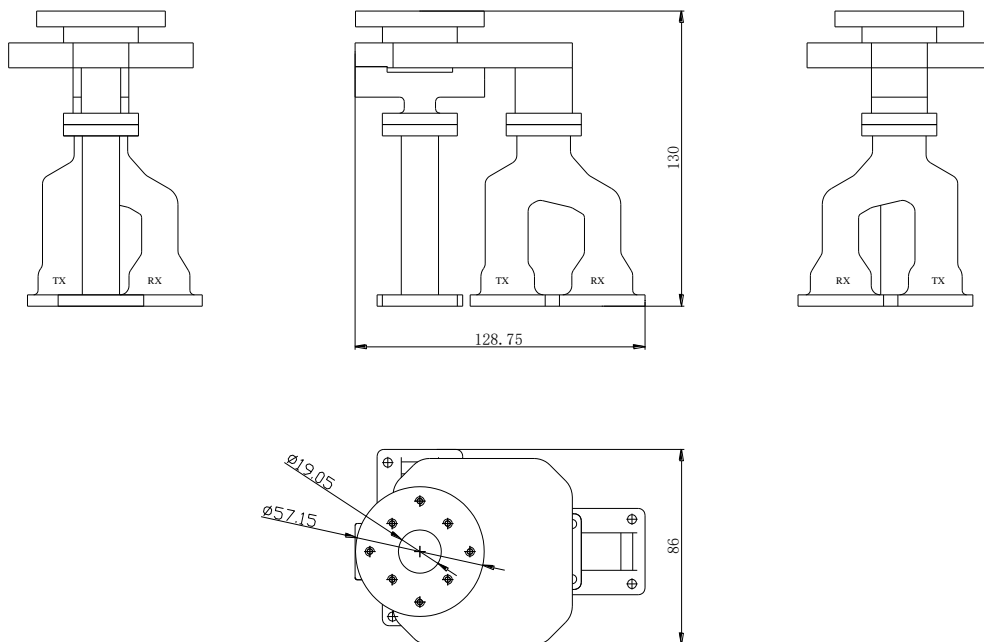
### 【Technical indicators】 :

1. Working frequency: RX:10.70~12.75GHz, TX:17.30~18.4GHz
2. VSWR: 1.20:1 MAX
3. Insertion loss: 0.50dB MAX(RX), 0.35dB MAX(TX)
4. Isolation: TX/RX: 100dB MIN

RX/TX: 90dB MIN

OMT cross isolation: 35dB MIN

5. Power Capacity: 1000W(TX)
6. Interface: Common port:  $\Phi 19.05$  circular waveguide; TX: WR62; RX: WR75
7. Structure:



Ku Band 4 Port Linear Polarization Duplexer



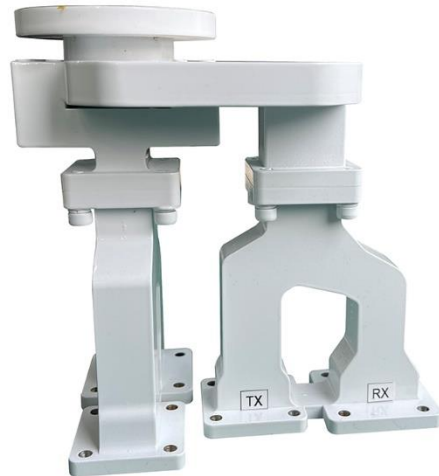
(a)



(c)



(b)



(d)

Ku Band 4 Port Linear Polarization Duplexer