



K-Ka band circular polarizer (type A)

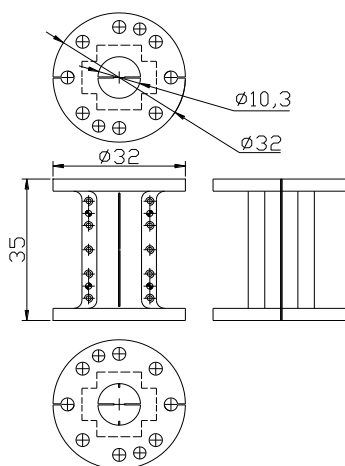
【Product introduction】 :

Used for linearly polarized wave and circularly polarized wave conversion.

Features: low insertion loss, low phase fluctuation.

【Technical indicators】 :

1. Working frequency: K band: 19.6~21.2GHz
Ka band: 29.4~31.0GHz
2. VSWR: 1.20:1 MAX
3. Insertion loss: 0.25dB MAX
4. circular polarizability: 0.5~1.2 dB
5. Structure:



K/Ka band circular polarizer (type A)



K/Ka band circular polarizer (type A)