



Ku band circular polarizer

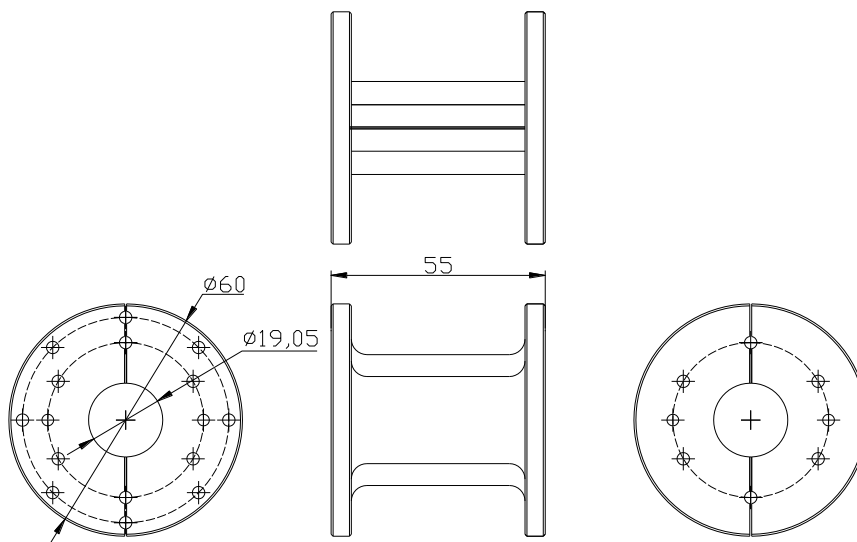
【Product introduction】 :

Used for linearly polarized wave and circularly polarized wave conversion.

Features: low insertion loss, low phase fluctuation.

【Technical indicators】 :

1. Working frequency: 10.90~14.50GHz
2. VSWR: 1.17:1 MAX
3. Insertion loss: 0.15dB MAX
4. circular polarizability: 0.5~1.2 dB
5. Interface: circular waveguide Φ 19.05
6. Structure:



Ku band circular polarizer