



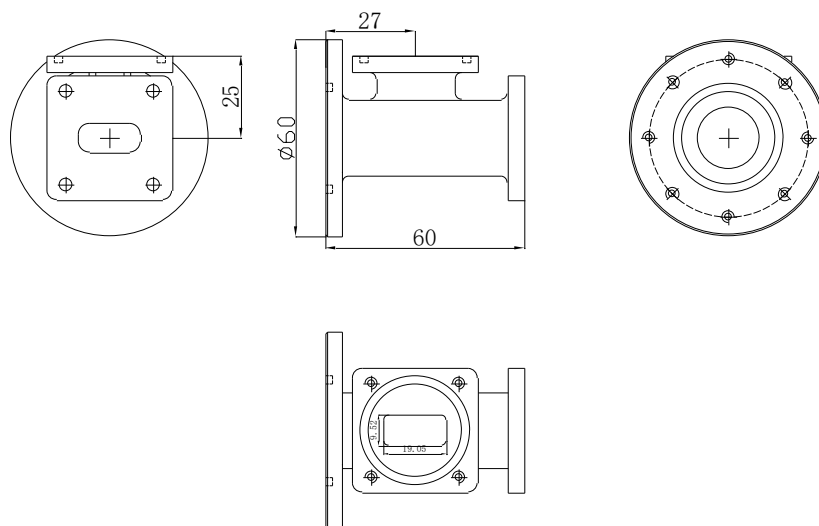
Ku band different frequency OMT(type B)

【Product introduction】:

Features: low insertion loss, great isolation.

【Technical indicators】:

1. Working frequency: RX: 10.7~12.75GHz
TX: 13.75~14.5GHz
2. VSWR: 1.15:1 MAX
3. Insertion loss: 0.15dB MAX
4. Isolation: 40dB MIN
5. Interface: Common port: C19.05;RX: WR75;TX;WR75
6. Structure:



Ku band different frequency OMT(type B)



Ku band different frequency OMT(type B)