



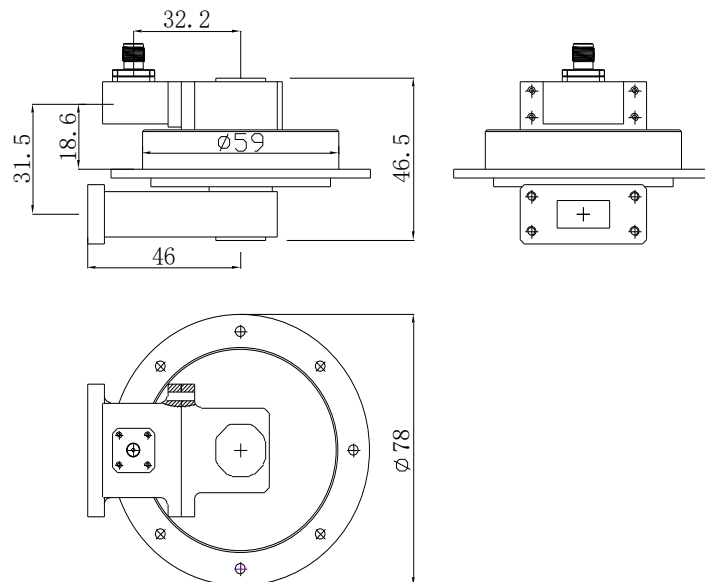
Ku Band U/SMA Type Waveguide Rotary Joint

【Product introduction】 :

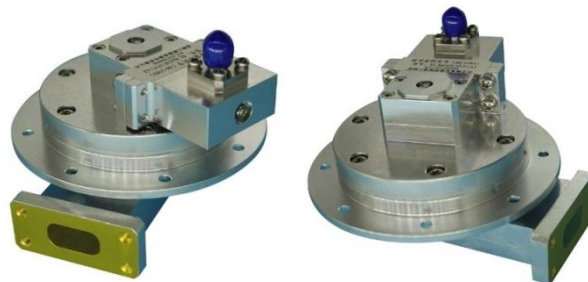
Features: low insertion loss, stable structure.

【Technical indicators】 :

1. Working frequency: 14.5~16.5GHz
2. VSWR: 1.2:1 MAX
3. Insertion loss: 0.3dB MAX
4. Operating temperature: -40°C~+70°C
5. Interface: WR62 Non-standard flange/SMA-K, average power: 70W
6. Structure:



Ku Band U/SMA Type Waveguide Rotary Joint



Ku Band U/SMA Type Waveguide Rotary Joint