



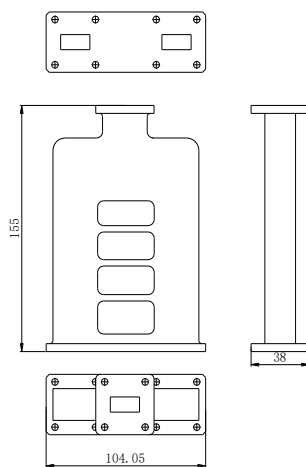
Ku Band Satellite Communication Duplexer (Type A)

【Product introduction】 :

Features: High power capacity, great rejection.

【Technical indicators】 :

1. Working frequency: RX: 10.70~12.75GHz
TX: 13.75~14.50GHz
2. VSWR: 1.25:1 MAX
3. Insertion loss: RX: 0.60dB MAX; TX: 0.45dB MAX
4. Isolation: TX/RX: 110dB MIN
RX/TX: 90dB MIN
5. Power Capacity: 2KW (Each TX port with 1KW input power)
6. Interface: Common port: $\Phi 19.05$ circular waveguide; Other ports: WR75
7. Structure:



Ku Band Satellite Communication Duplexer (Type A)



Ku Band Satellite Communication Duplexer (Type A)