



Chengdu Sanlianweixun Technology Co., Ltd.

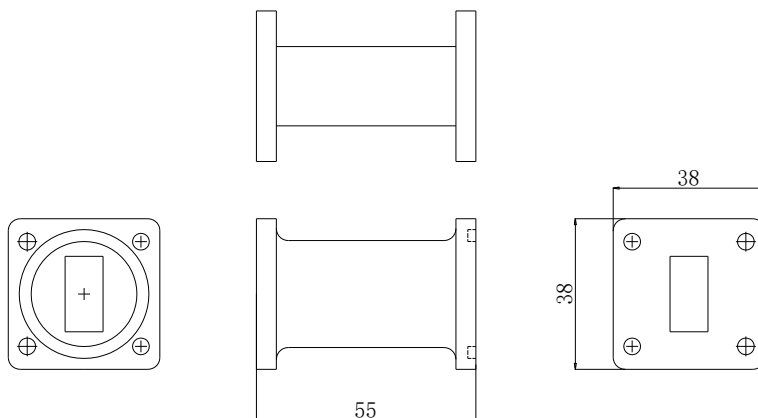
### Ku Band Satellite Communication Band Pass Filter

【Product introduction】 :

Features: low insertion loss, great rejection.

【Technical indicators】 :

1. Working frequency: 10.70~12.75GHz
2. VSWR: 1.20:1 MAX
3. Insertion loss: 0.25dB MAX
4. Rejection: 80dB MIN@13.75~14.50GHz
5. Interface: WR75
6. Structure:



Ku Band Satellite Communication Band Pass Filter



Ku Band Satellite Communication Band Pass Filter

Address: No. 18, Chengzhi Road. Chenghua District. Chengdu City. China. 610053  
Tel: +86-021-86780908 Email: jamesruiwang@163.com